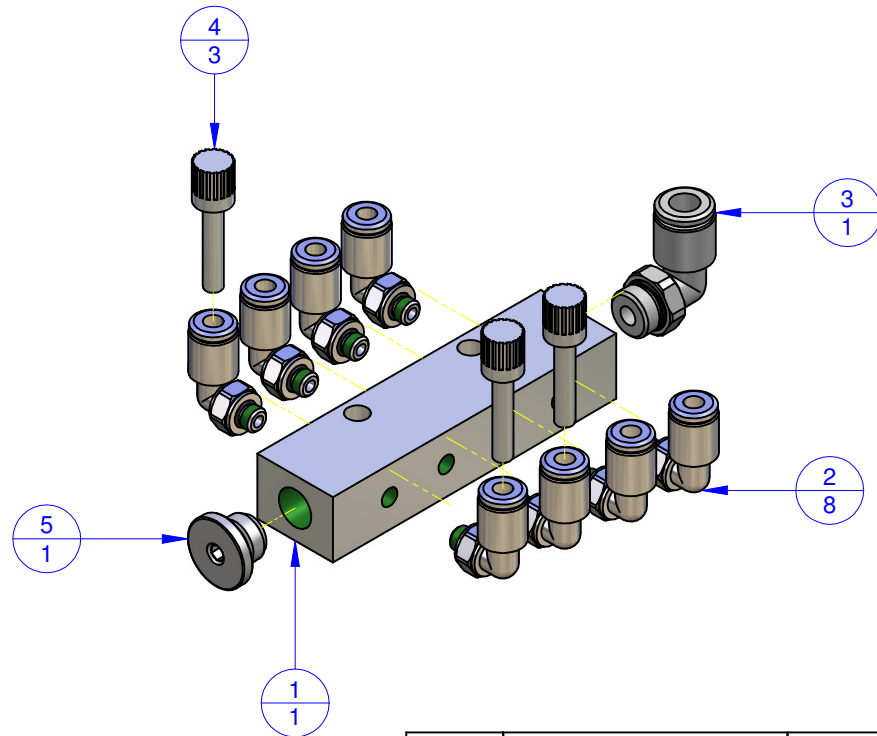


THE PROPERTY OF THIS DRAWING IS ESTABLISHED BY LAW  
IT IS FORBIDDEN TO REPRODUCE IT OR SHOW IT TO THIRD PARTY  
WITHOUT A WRITTEN AGREEMENT.

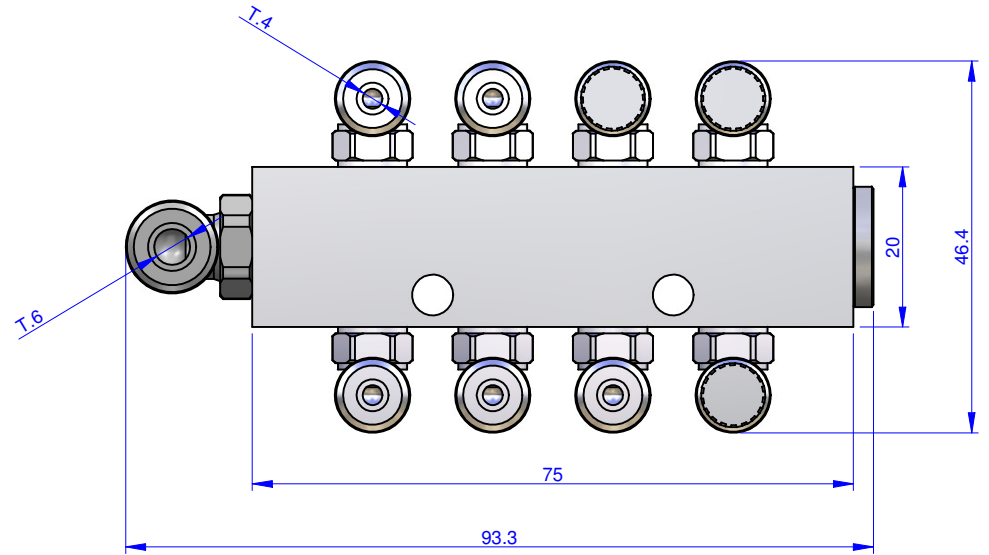
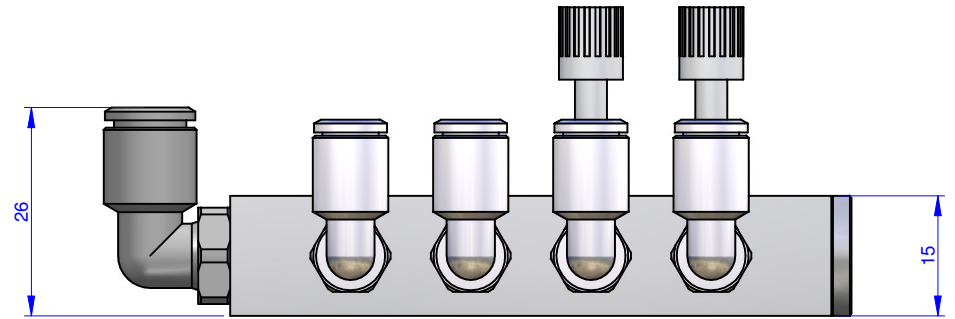
MODIFICATIONS: \_\_\_\_\_  
 (7) (8) (9)  
 VARIED DIMENSIONS AS OF DATE: \_\_\_\_\_  
 (10) (11) (12)

MODIFICATIONS: \_\_\_\_\_  
 (1) (2) (3)  
 VARIED DIMENSIONS AS OF DATE: \_\_\_\_\_  
 (4) (5) (6)

Format **A3**  
 UNI 936-76



Object Number	Name	QTY
1	CA.13.02.003	1
2	CA.12.05.001	8
3	CA.12.05.003	1
4	CA.12.05.036	3
5	CA.08.14.014	1



<b>FP Services</b>		DESIGNED FROM FPSERVICES	
GENERAL TOLERANCE: UNI - ISO 2768 CLASSE f		DATE 04/2008	WEIGHT 0,089 kg
DESCRIPTION		CODE <b>KIT.13.02.003</b>	

